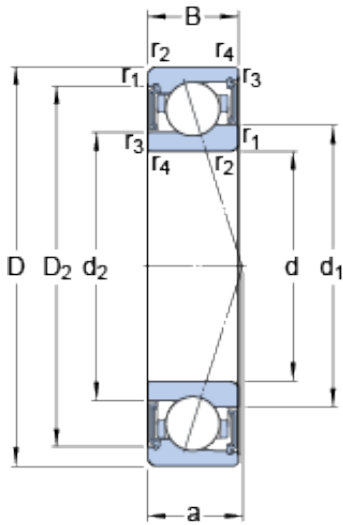




# Shandong Bohong Bearing Co., Ltd.



## 35 mm x 55 mm x 10 mm SKF S71907 CE/HCP4A angular contact ball bearings

Bearing No. S71907 CE/HCP4A

S71907 CE/HCP4A Bearing 2D drawings and 3D CAD models

Size	55x35x10 mm
Bore Diameter	55 mm
Outer Diameter	35 mm
Width	10 mm
d	35 mm
D	55 mm
B	10 mm
d <sub>1</sub>	41.7 mm
d <sub>2</sub>	40.2 mm
D <sub>2</sub>	50.3 mm
r <sub>1,2</sub> - min.	0.6 mm
r <sub>3,4</sub> - min.	0.3 mm
a	11.4 mm
d <sub>a</sub> - min.	38.2 mm
d <sub>a</sub> - max.	41.3 mm
d <sub>b</sub> - min.	37 mm
d <sub>b</sub> - max.	39.8 mm
D <sub>a</sub> - max.	51.8 mm
D <sub>b</sub> - max.	53 mm
r <sub>a</sub> - max.	0.6 mm
r <sub>b</sub> - max.	0.3 mm
Basic dynamic load rating - C	7.6 kN
Basic static load rating - C <sub>0</sub>	4.8 kN
Fatigue load limit - P <sub>u</sub>	0.2 kN



## Shandong Bohong Bearing Co., Ltd.

Limiting speed for grease lubrication	43000 r/min
Ball - $D_w$	5.556 mm
Ball - $z$	19
Calculation factor - $f_0$	8.3
Preload class A - $G_A$	41 N
Preload class B - $G_B$	125 N
Preload class C - $G_C$	250 N
Calculation factor - $f$	1.05
Calculation factor - $f$	1
Calculation factor - $f_{2A}$	1
Calculation factor - $f_{2B}$	1.05
Calculation factor - $f_{2C}$	1.09
Calculation factor - $f_{HC}$	1.01
Preload class A	31 N/micron
Preload class B	48 N/micron
Preload class C	66 N/micron
$d_1$	41.7 mm
$d_2$	40.2 mm
$D_2$	50.3 mm
$r_{1,2}$ min.	0.6 mm
$r_{3,4}$ min.	0.3 mm
$d_a$ min.	38.2 mm
$d_a$ max.	41.3 mm
$d_b$ min.	37 mm
$d_b$ max.	39.8 mm
$D_a$ max.	51.8 mm
$D_b$ max.	53 mm
$r_a$ max.	0.6 mm
$r_b$ max.	0.3 mm
Basic dynamic load rating C	7.61 kN



## Shandong Bohong Bearing Co., Ltd.

Basic static load rating $C_0$	4.75 kN
Fatigue load limit $P_u$	0.2 kN
Attainable speed for grease lubrication	43000 r/min
Ball diameter $D_w$	5.556 mm
Number of balls $z$	19
Preload class A $G_A$	41 N
Static axial stiffness, preload class A	31 N/ $\mu$ m
Preload class B $G_B$	125 N
Static axial stiffness, preload class B	48 N/ $\mu$ m
Preload class C $G_C$	250 N
Static axial stiffness, preload class C	66 N/ $\mu$ m
Calculation factor $f$	1.05
Calculation factor $f_1$	1
Calculation factor $f_{2A}$	1
Calculation factor $f_{2B}$	1.05
Calculation factor $f_{2C}$	1.09
Calculation factor $f_{HC}$	1.01
Calculation factor $f_0$	8.3
Mass bearing	0.066 kg