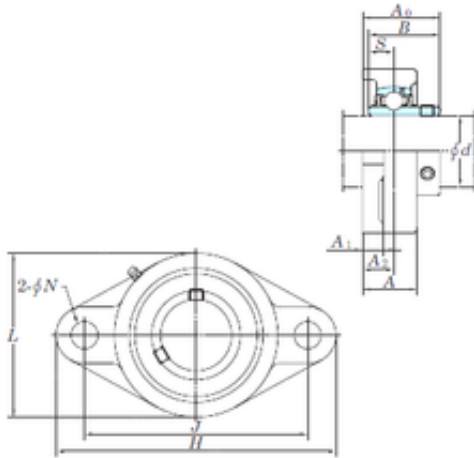




Shandong Bohong Bearing Co., Ltd.



KOYO UCFL215E bearing units

Bearing No. UCFL215E

| | |
|-------------------------------|---------|
| Bore Diameter | 75 mm |
| d | 75 mm |
| A0 | 78,5 mm |
| A | 56 mm |
| A1 | 20 mm |
| B | 77,8 mm |
| H | 275 mm |
| J | 225 mm |
| L | 165 mm |
| N | 19 mm |
| S | 33,3 mm |
| A2 | 34 mm |
| Weight | 6,4 Kg |
| Basic dynamic load rating (C) | 67,4 kN |
| Basic static load rating (C0) | 48,3 kN |

UCFL215E Bearing 2D drawings and 3D CAD models