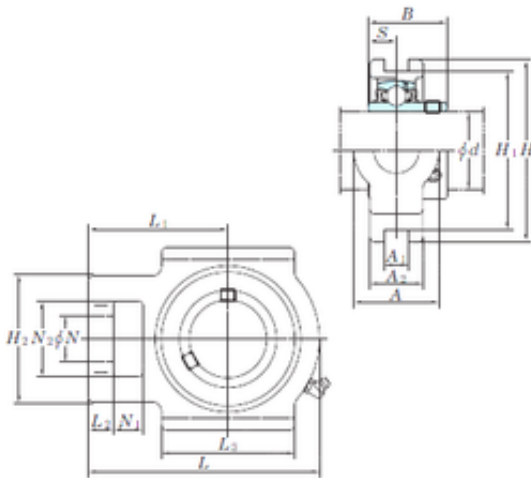




Shandong Bohong Bearing Co., Ltd.

KOYO UCT312 bearing units

Bearing No. UCT312



UCT312 Bearing 2D drawings and 3D CAD models

Bore Diameter	60 mm
d	60 mm
L2	23 mm
L3	123 mm
A	71 mm
A1	22 mm
B	71 mm
H	178 mm
H1	160 mm
H2	113 mm
L	220 mm
L1	135 mm
N	41 mm
N1	31 mm
S	26 mm
A2	46 mm
N2	71 mm
Weight	7,6 Kg
Basic dynamic load rating (C)	81,9 kN
Basic static load rating (C0)	52,2 kN
Bearing No.	UCT312
Cr	81.9
C0r	52.2
f0	13.2
(Refer.)Unit mass(kg)	7.6
Nipple size	R1/8



Shandong Bohong Bearing Co., Ltd.