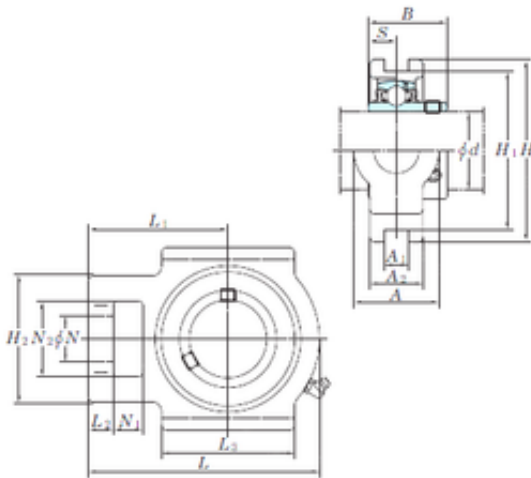




# Shandong Bohong Bearing Co., Ltd.

## KOYO UCT313 bearing units

Bearing No. UCT313



UCT313 Bearing 2D drawings and 3D CAD models

Bore Diameter	65 mm
d	65 mm
L2	25 mm
L3	134 mm
A	80 mm
A1	26 mm
B	75 mm
H	190 mm
H1	170 mm
H2	116 mm
L	238 mm
L1	146 mm
N	43 mm
N1	32 mm
S	30 mm
A2	50 mm
N2	70 mm
Weight	9,3 Kg
Basic dynamic load rating (C)	92,7 kN
Basic static load rating (C0)	59,9 kN
Bearing No.	UCT313
Cr	92.7
C0r	59.9
f0	13.2
(Refer.)Unit mass(kg)	9.3
Nipple size	R1/8



# Shandong Bohong Bearing Co., Ltd.