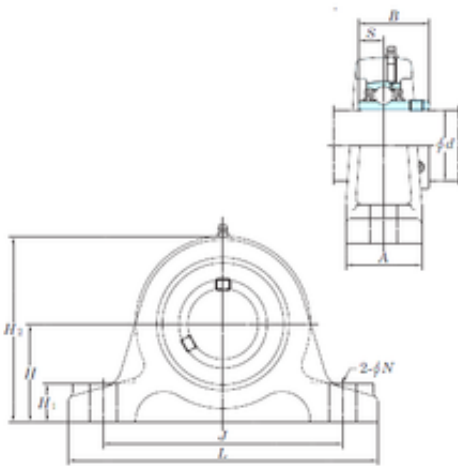




Shandong Bohong Bearing Co., Ltd.

KOYO UCIP318 bearing units

Bearing No. UCIP318



UCIP318 Bearing 2D drawings and 3D CAD models

Bore Diameter	90 mm
Width	96 mm
d	90 mm
A	85 mm
B	96 mm
H	130 mm
H1	45 mm
H2	260 mm
J	330 mm
L	400 mm
N	29 mm
S	40 mm
Bolt (G)	M27
Weight	28,6 Kg
Basic dynamic load rating (C)	143 kN
Basic static load rating (C0)	107 kN
Bearing No.	UCIP318
Bolt size	M27
Cr	143
C0r	107
f0	13.3
(Refer.) Unit mass(kg)	28.6
Nipple size	R1/8